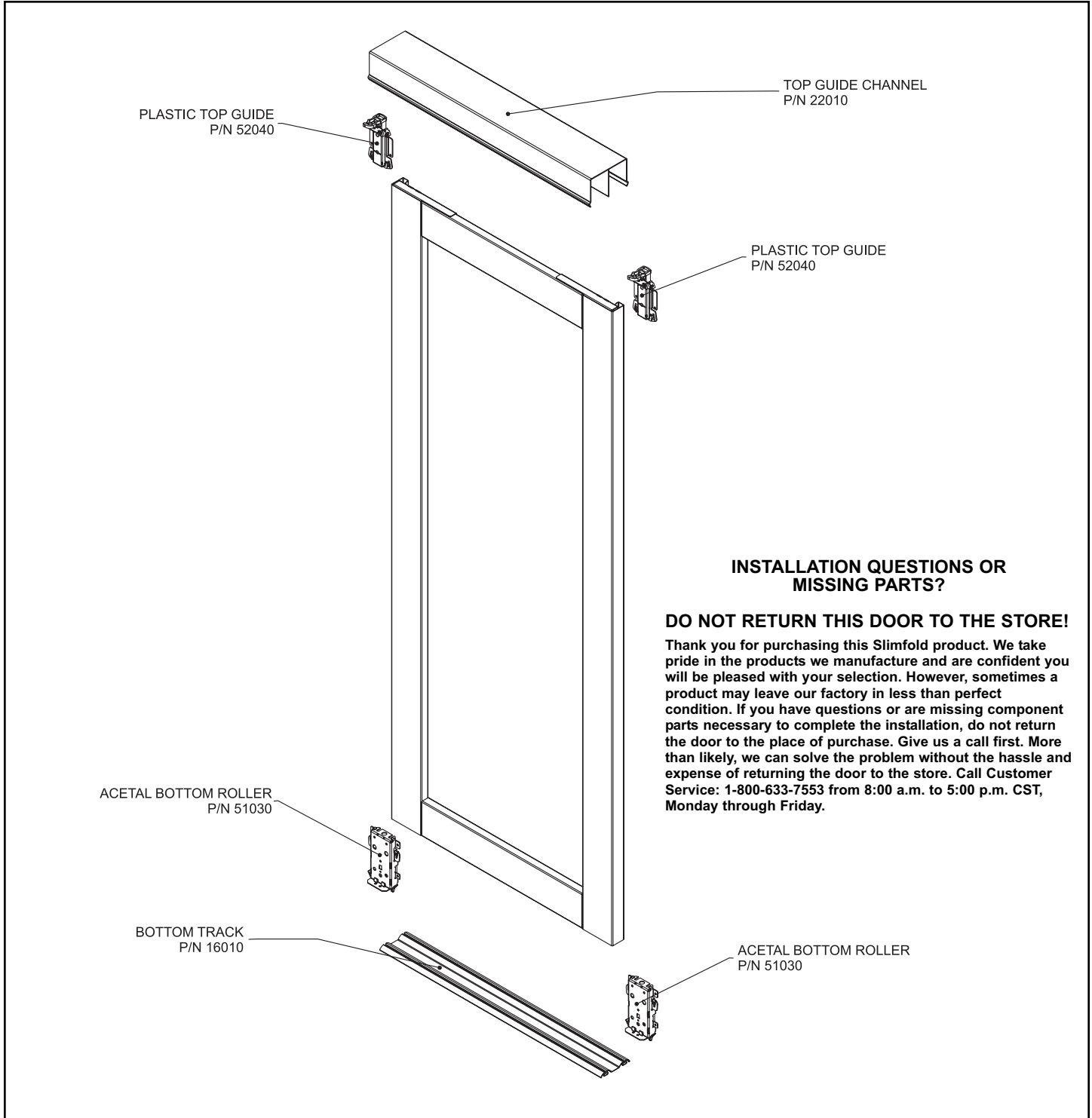


INSTALLATION SHEET

Keep These Instructions!

PLEASE FOLLOW ALL INSTRUCTIONS AND ALWAYS USE PROTECTIVE EYEWEAR WHEN INSTALLING A DOOR SYSTEM. PLEASE READ INSTRUCTIONS COMPLETELY.

MARKER DOOR INSTRUCTIONS



INSTALLATION QUESTIONS OR MISSING PARTS?

DO NOT RETURN THIS DOOR TO THE STORE!

Thank you for purchasing this Slimfold product. We take pride in the products we manufacture and are confident you will be pleased with your selection. However, sometimes a product may leave our factory in less than perfect condition. If you have questions or are missing component parts necessary to complete the installation, do not return the door to the place of purchase. Give us a call first. More than likely, we can solve the problem without the hassle and expense of returning the door to the store. Call Customer Service: 1-800-633-7553 from 8:00 a.m. to 5:00 p.m. CST, Monday through Friday.



SLIMFOLD™

Closet Systems

Slimfold Products, A Division of the Dunbarton Corporation
P.O. Box 8577, Dothan, AL 36304-0577
Toll Free: (800) 633-7553 Tel: (334) 794-0661 Fax: (334) 793-7022
Web Page: www.dunbarton.com E-mail: slimfold@dunbarton.com

P/N 82800275 SF 434 Rev. 4/10

BEFORE YOU BEGIN

PLEASE FOLLOW ALL INSTRUCTIONS AND ALWAYS USE PROTECTIVE EYEWEAR WHEN INSTALLING A DOOR SYSTEM. PLEASE READ INSTRUCTIONS COMPLETELY.

Assemble Tools

- Safety glasses
- Phillips head screwdriver
- Straight head screwdriver
- Level
- Tape Measure
- Power drill or screw gun (3/16" bit)

Measure Opening

Measure the Finished Opening Size; refer to Specifications below to insure proper door size (FIG. 1).

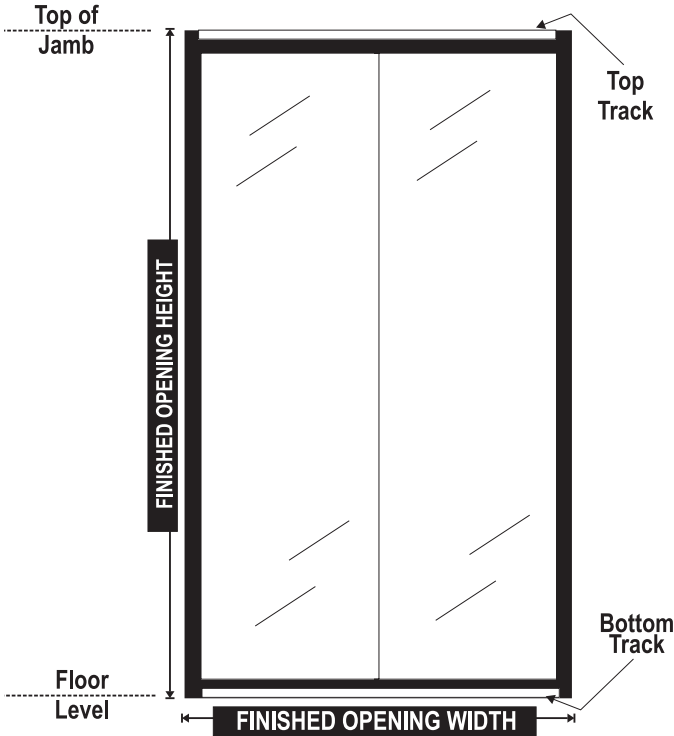


FIGURE 1

SPECIFICATIONS

STANDARD SIZES—TWO PANEL UNITS

Size	Door Width	FINISHED OPENING WIDTH*	FIN. OPNG. HGHT.** 6'8" Units
4'0" (1219)	25-1/4" (626)	48" (1219)	80-1/2" (2045)
5'0" (1524)	31-1/4" (778)	60" (1524)	
6'0" (1829)	37-1/4" (930)	72" (1829)	

*Finished Opening Width Tolerance +1"/-2" (+25/-50)

**Finished Opening Height Tolerance: +1.5"/-.5" (+38/-13)

All increments shown in (parenthesis) are metric (millimeter) unless otherwise indicated. Non-standard sizes available; check with your dealer for sizes and availability.

INSTALLATION

1. Remove Door from Packing Material

Carefully open the door package and remove the track packed inside the door (track can be packed separately if requested). Locate hardware bag(s) containing the following components for the Marker Door.

MARKER DOOR INCLUDES:

- Ten Track Screws (P/N 81201001)

CROSS-SECTIONAL DETAIL (Figure 2)

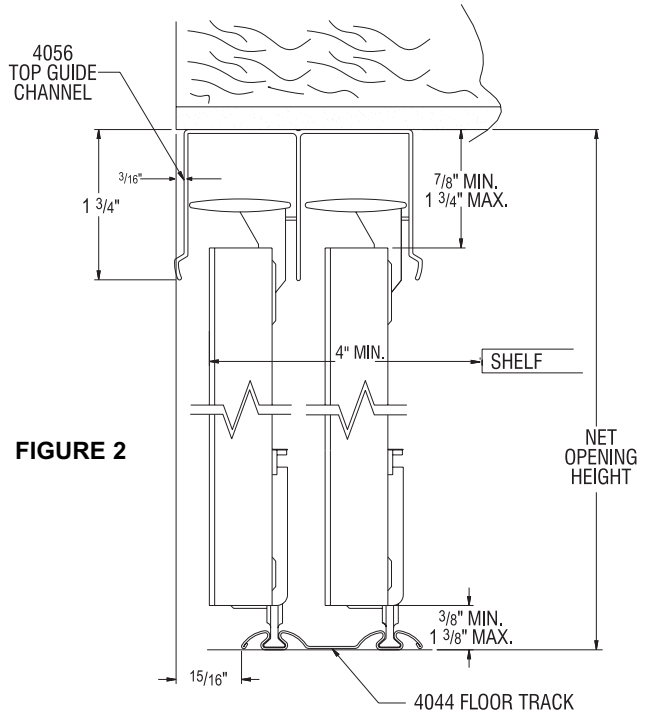


FIGURE 2

2. Attach Top Guide Channel

Screw Top Guide Channel into the header of your opening, locating the front edge 3/16" (5mm) back from jamb face as shown. Avoid using excessive force when screwing into header as this could deform the Top Guide (Figure 2).

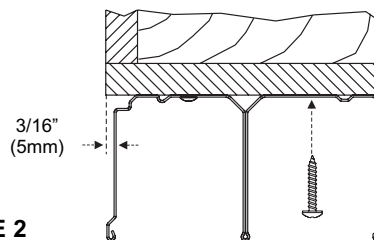
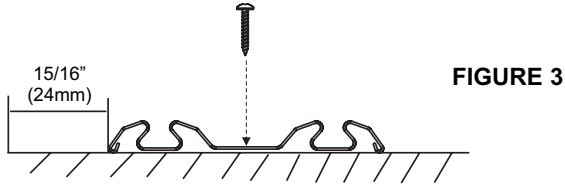


FIGURE 2

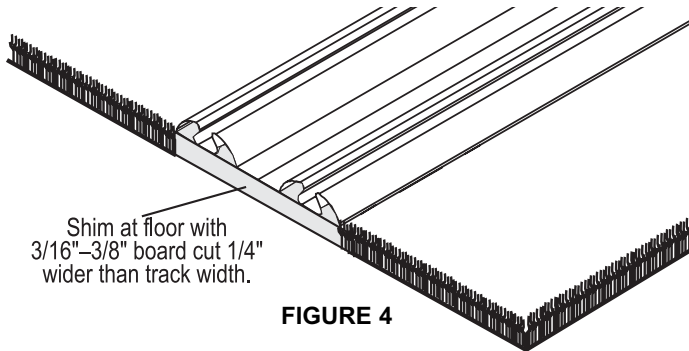
3. Attach Bottom Track

Locate leading edge of floor track 15/16" back from front face of jamb, so doors will hang plumb (Figure 3).



If carpeted, spacers (3/16" to 3/8" thick) are recommended to raise floor track (Figure 4).

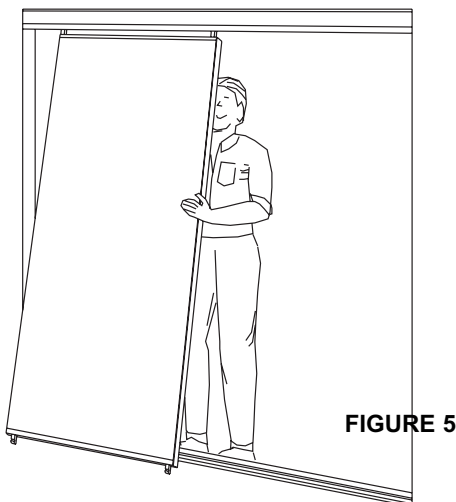
New Construction: For best results and performance, it is recommended that the track be put down before laying carpet. Depending upon the height of the finished floor, a continuous wood shim can be placed underneath the track to provide additional clearance between the door and carpet. The carpet can be installed up to the track and the door can be installed later.



4. Install Doors Into Opening

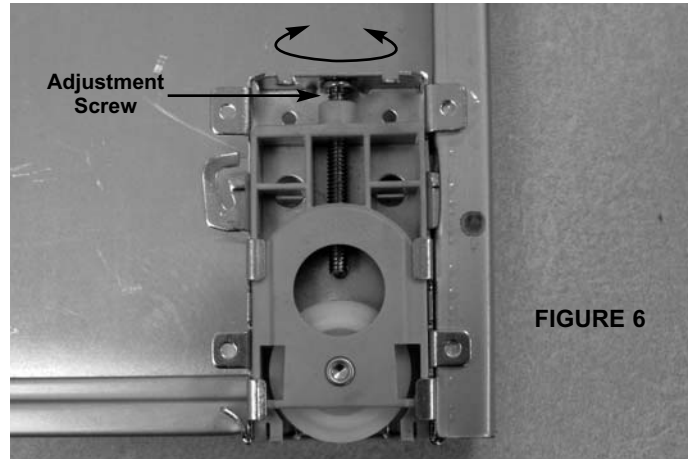
Doors are shipped with the bottom rollers fully retracted. Before proceeding to install doors, extend rollers 1/4" by turning the adjusting bolt counterclockwise.

Install rear door first. Insert top of door into the top guide channel first, then swing bottom of door over bottom track and lower rollers into rear groove. Install front door in the same manner (Figure 5).



5. Adjust Doors

To perfectly align the doors with the side walls or end panels, use a screwdriver and turn the adjustment screw in the bottom wheel to the left or right to raise or lower the door (Figure 6).



SLIMFOLD PRODUCTS LIMITED

LIFETIME WARRANTY

Slimfold Products Division warrants to the purchaser that its products, when utilized for interior door use, will be free from defects in materials and workmanship for the life of the product.

Slimfold Products manufactured with galvanized steel are additionally warranted against rusting for a period of one (1) year from the date of purchase, provided the finish has not been cut or abraded through the metal. Galvanized steel should be used where air has a high salt content or in locations with high humidity.

This warranty is applicable only when the products covered by it have been installed in accordance with the recommended written installation instructions of Slimfold Products Division and with established building practices, have been accorded treatment which is considered good practice in the building industry regarding storage and maintenance, and have been subjected only to normal use. Because Slimfold Products Division cannot control the manner in which its products are handled after leaving its premises, this warranty does not apply to the finish or other damage occurring during shipment.

There are no warranties, express or implied, which extend beyond the description on the face hereof, including the implied

warranty of merchantability and the implied warranty of fitness for a particular purpose.

Some states do not allow limitations on how long an implied warranty lasts, so the above limitation may not apply in some cases.

In the event the original consumer purchaser of any Slimfold product believes that the door or any parts thereof covered by this warranty is defective, a letter outlining the alleged defect should be sent postage prepaid to the following address:

**Slimfold Products Division
PO Box 8577
Dothan, AL 36304-0577**

Any Slimfold Products part covered by this warranty which, upon inspection by an authorized representative of Slimfold Products Division, are found by said representative to be defective, will be repaired or replaced at the option of Slimfold Products Division. The purchase price of the part will be refunded and does not include labor, installation costs, finishing costs, or indirect or consequential damages of any nature. Some states do not allow the exclusion or limitation of incidental or consequential damages, so the above limitation or exclusion may not apply to you.

This warranty bestows certain legal rights, and you may also have other rights which vary from state to state.

CARING FOR YOUR SLIMFOLD DOOR

KEEP TRACK FREE OF DIRT AND PAINT!

Steel Frame

Clean steel surface with a soft cloth using a mild detergent and water. Do not use harsh cleaners or abrasive.

Marker Board Finish

- USE ONLY DRY ERASE MARKERS! Crayons or permanent markers may damage surface.

Cleaning

- Wipe white board with a clean, soft cloth or eraser for dry erase boards.
- Use a clean, soft cloth when cleaning to avoid scratching surface.
- To ensure proper life of the dry-erase surface, clean weekly with a dry-erase cleaner. Dry-erase cleaners can be purchased wherever dry-erase markers are sold.
- **CAUTION: Never use abrasive cleaners as they will scratch the surface.** Protect surface against scratches from metal or hard objects. If a permanent marker is accidentally used on the surface, write over it with a dry erase marker and clean normally.



SLIMFOLD™

Closet Systems

Slimfold Products, A Division of the Dunbarton Corporation

P.O. Box 8577, Dothan, AL 36304-0577

Toll Free: (800) 633-7553 Tel: (334) 794-0661 Fax: (334) 793-7022

Web Page: www.dunbarton.com E-mail: slimfold@dunbarton.com