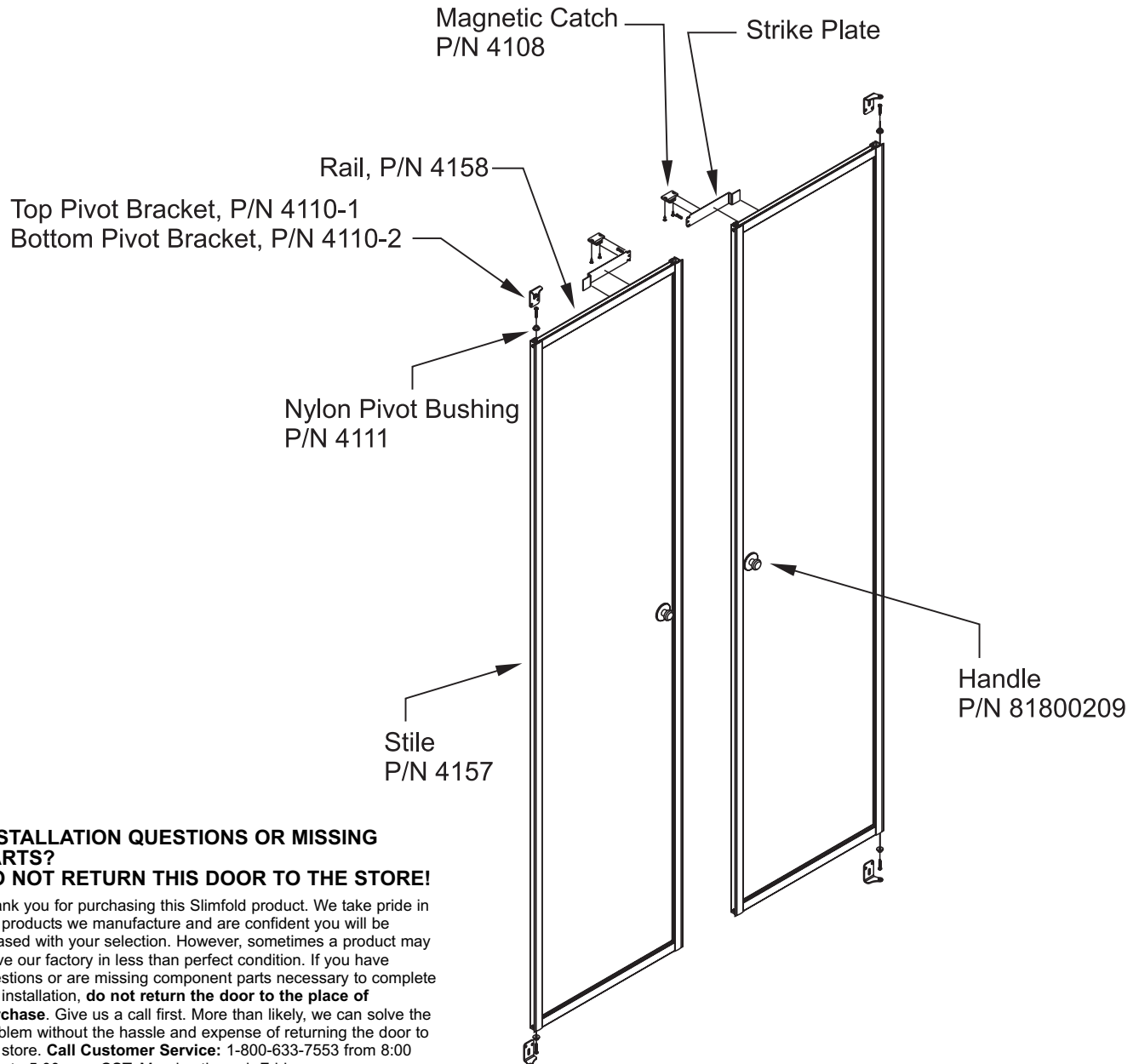


INSTALLATION SHEET

Keep These Instructions!

PLEASE FOLLOW ALL INSTRUCTIONS AND ALWAYS USE PROTECTIVE EYEWEAR WHEN INSTALLING A DOOR SYSTEM. PLEASE READ INSTRUCTIONS COMPLETELY.

SPACESAVER ALUMINUM DOUBLE OVERLAY DOORS



SLIMFOLD™

Closet Systems

P.O. BOX 8577 | DOTHAN, ALABAMA 8577-0577
800-633-7553
334-793-3462 (fax)
www.dunbarton.com
email: slimfold@dunbarton.com

BEFORE YOU BEGIN

PLEASE FOLLOW ALL INSTRUCTIONS AND ALWAYS USE PROTECTIVE EYEWEAR WHEN INSTALLING A DOOR SYSTEM. PLEASE READ INSTRUCTIONS COMPLETELY.

Assemble Tools

- Safety glasses
- Phillips head screwdriver
- Straight head screwdriver
- Level
- Tape Measure
- Power drill or screw gun (3/16" bit)

Measure Opening

Measure the Finished Opening Size; refer to Specifications below to insure proper door size (FIGURE 1).



FIGURE 1

Specifications

STANDARD SIZES

Width	Panel Width	Assembled Door Width	Distance Between Cut Moldings
2'0" (610)	14 7/32" (361)	28 9/16" (725)	28 1/8" (714)
2'6" (762)	17 7/32" (437)	34 9/16" (878)	34 1/8" (867)
2'8" (813)	18 7/32" (463)	36 9/16" (929)	36 1/8" (918)
3'0" (914)	20 7/32" (514)	40 9/16" (1030)	40 1/8" (1019)
4'0" (1219)	26 7/32" (666)	52 9/16" (1335)	52 1/8" (1324)

Finished Opening Width Tolerance: Bracket Locations will vary based on actual finished opening size.

Nominal Height	Finished Opening Height	Assembled Door Height
6'8"	80 1/2" (2045)	81" (2057)
7'0"	84" (2133)	84 1/2" (2146)

SPECIAL SIZES: Distance between cut molding edges is finished opening + 4-1/8".

All increments shown in (parenthesis) are metric (millimeter) unless otherwise indicated. Non-standard sizes available; check with your dealer for sizes and availability.

INSTALLATION

1. Remove Door from Packing Material

Carefully open the door package. The SpaceSaver mirror overlay comes completely assembled, ready for installation.

CROSS SECTION DETAIL

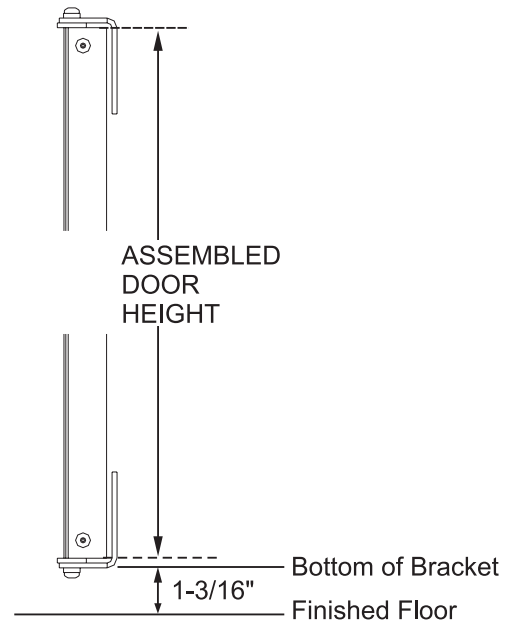


FIGURE 2

2. Trim Base Moldings

Cut the molding 2 1/16" from door opening on both sides of opening. Referring to chart to left, measure proper distance from cut molding edge to other side of opening and trim molding (Note Figure 2). (See Specifications chart.)

3. Attach Pivot Bushing

Locate 4111 nylon pivot bushing at each end of stile that will become the pivoting side of door (Figure 3) and attach using #8 x 1" pan head Phillips screws.

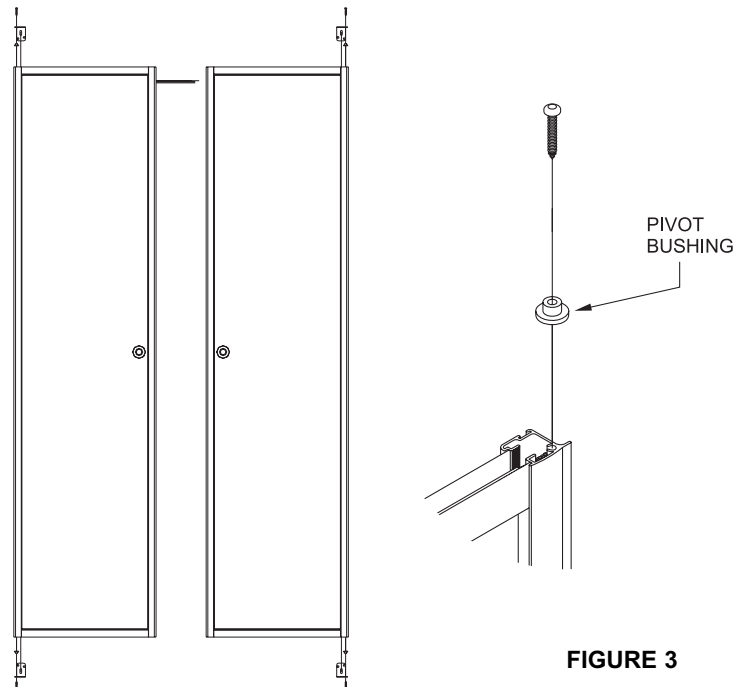


FIGURE 3

4. Mount Brackets

Mount 4110-1/4110-2 pivot bracket to bottom face of wall using three #8 x 1-1/2" flat head Phillips screws. Bracket is left and right handed, so select leaf with pivot hole away from opening. Other bracket will be used at top. Bottom bracket should be located 5/8" from edge of opening (Figure 4). This will allow bracket to clear 1/2" dry wall and secure into stud. Bottom bracket should also be located 1-3/16" from finished floor (Figure 4).

5. Locate / Adjust Top Pivot Bracket

Locate top pivot bracket 5/8" from edge of opening with center slot at point according to the nominal heights: **6'8" – 80-13/16"**; **7'0" – 84-1/16"**. Check for plumb and adjust if top and bottom brackets are not plumb. Screw top pivot bracket to wall through center slot only, but do not tighten yet (Figure 4).

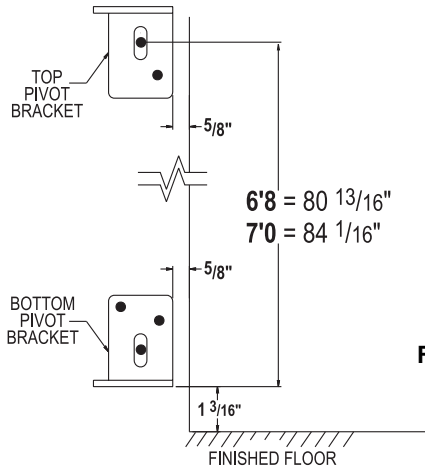


FIGURE 4

6. Lift Door Into Opening

Lift door onto bottom pivot bracket, so pivot bushing on door sits into pivot bracket hole. While holding door with one hand, use other hand to slide top pivot bracket upwards in slot. Position top pivot under pivot hole in the top bracket and lower bracket onto the pivot bushing. Open door and fasten loose screw, then install and secure remaining #8 x 1 1/2" flat head screw into the hole toward opening only (Figure 5).

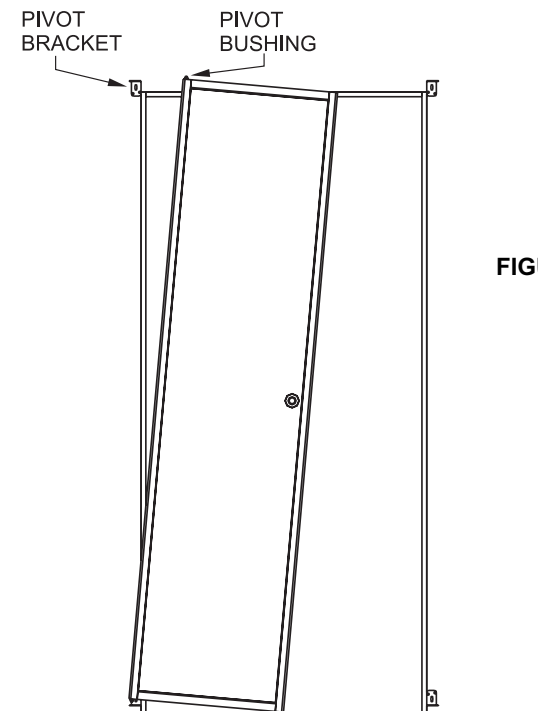


FIGURE 5

7. Install Catch

Attach 4115 magnetic catch inside the front edge of the header using #6 x 3/4" screws (included in package) (Figure 6). Leave the screws loose to permit final adjustment of the catch. **To install strike plate**, drill a 1/8" diameter hole in the center of dust seal channel and in line with the center of the magnetic catch. Clean the area of the mirror backing that the strike will contact with Isopropyl Rubbing Alcohol. (Figure 7)

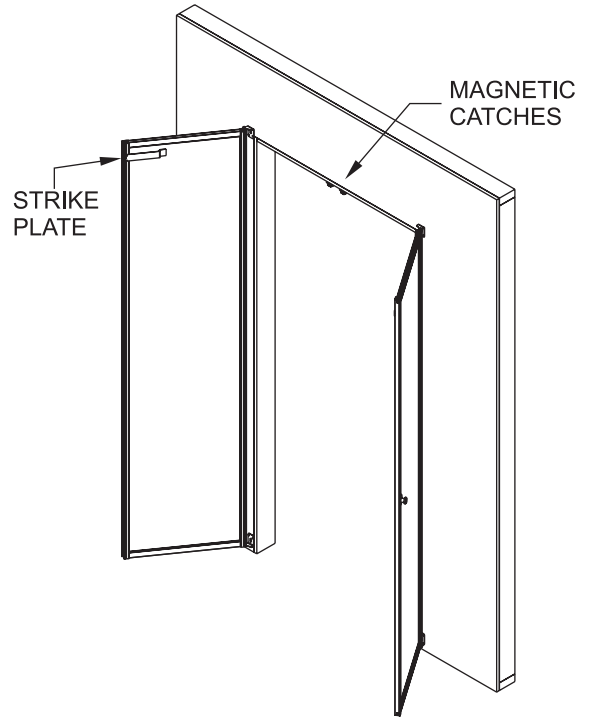


FIGURE 6

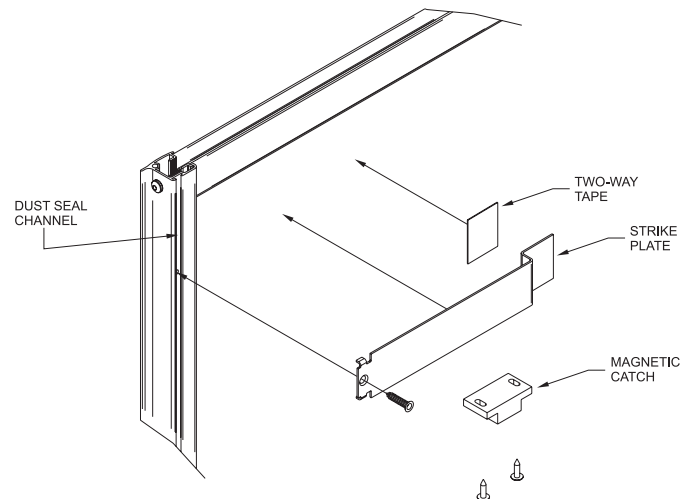


FIGURE 7

SLIMFOLD PRODUCTS LIMITED LIFETIME WARRANTY

Slimfold Products Division warrants to the purchaser that its products, when utilized for interior door use, will be free from defects in materials and workmanship for the life of the product.

Slimfold Products manufactured with galvanized steel are additionally warranted against rusting for a period of one (1) year from the date of purchase, provided the finish has not been cut or abraded through the metal. Galvanized steel should be used where air has a high salt content or in locations with high humidity.

This warranty is applicable only when the products covered by it have been installed in accordance with the recommended written installation instructions of Slimfold Products Division and with established building practices, have been accorded treatment which is considered good practice in the building industry regarding storage and maintenance, and have been subjected only to normal use. Because Slimfold Products Division cannot control the manner in which its products are handled after leaving its premises, this warranty does not apply to the finish or other damage occurring during shipment.

There are no warranties, express or implied, which extend beyond the description on the face hereof, including

the implied warranty of merchantability and the implied warranty of fitness for a particular purpose.

Some states do not allow limitations on how long an implied warranty lasts, so the above limitation may not apply in some cases.

In the event the original consumer purchaser of any Slimfold product believes that the door or any parts thereof covered by this warranty is defective, a letter outlining the alleged defect should be sent postage prepaid to the following address:

**Slimfold Products Division
PO Box 8577
Dothan, AL 36304-0577**

Any Slimfold Products part covered by this warranty which, upon inspection by an authorized representative of Slimfold Products Division, are found by said representative to be defective, will be repaired or replaced at the option of Slimfold Products Division. The purchase price of the part will be refunded and does not include labor, installation costs, finishing costs, or indirect or consequential damages of any nature. Some states do not allow the exclusion or limitation of incidental or consequential damages, so the above limitation or exclusion may not apply to you.

This warranty bestows certain legal rights, and you may also have other rights which vary from state to state.

CARING FOR YOUR SLIMFOLD DOOR KEEP TRACK FREE OF DIRT AND PAINT!

Steel Bifolds

Clean steel surface with a soft cloth using a mild detergent and water. Do not use harsh cleaners or abrasive.

Mirrors

- Clean mirror surface with clean, warm water or approved glass cleaner. Do not use any acid or alkali cleaners or cleaners with ammonia base. They will attack front surface, edges and backing of glass.
- Use a clean, soft cloth when cleaning to avoid scratching mirror surface.
- Never spray any cleaner directly on to the mirror. Apply to cloth first, then wipe mirror.
- Be sure to dry all edges thoroughly.



SLIMFOLD™

Closet Systems

P.O. BOX 8577 | DOTHAN, ALABAMA 8577-0577
800-633-7553
334-793-3462 (fax)
www.dunbarton.com
email: slimfold@dunbarton.com