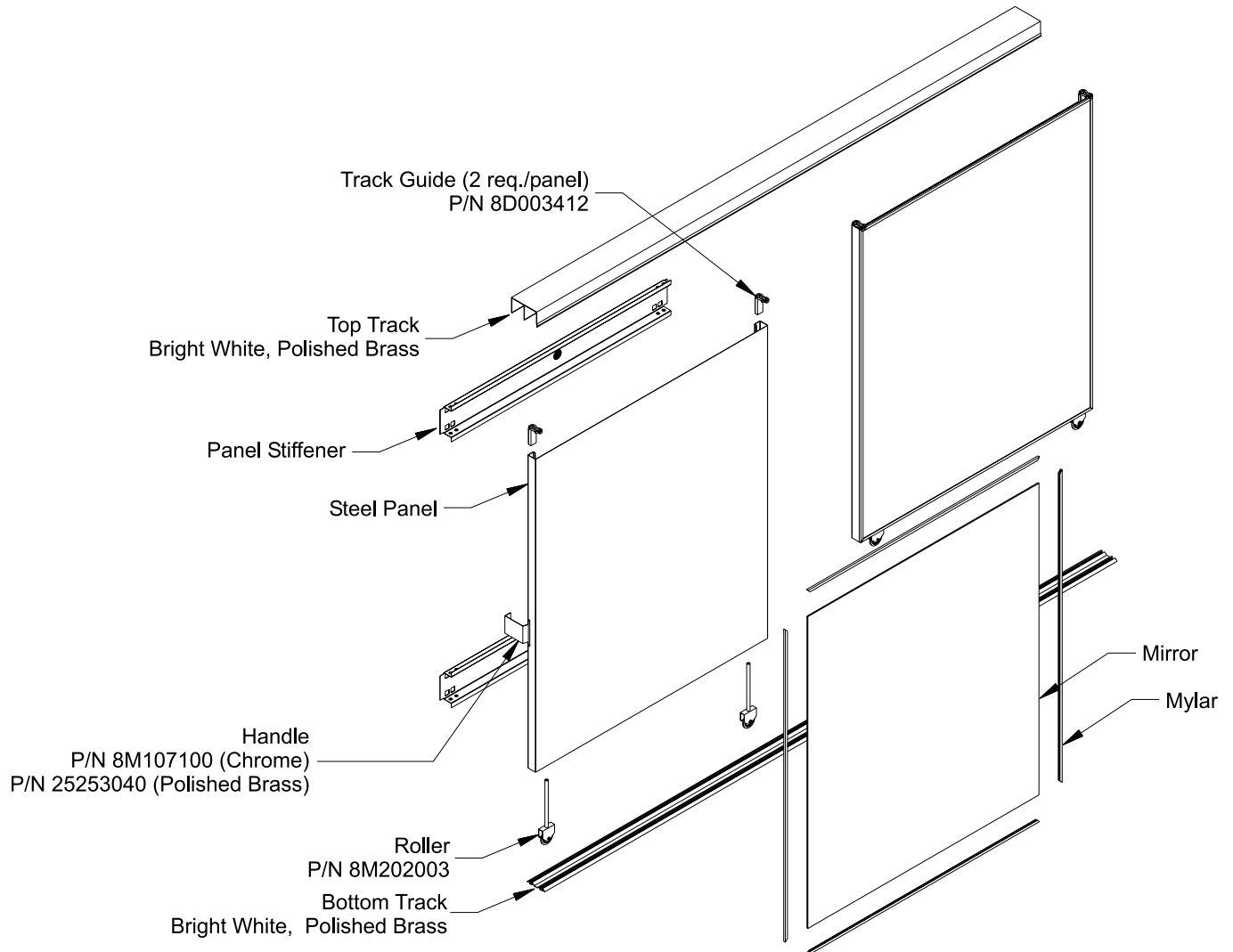


Keep These Instructions!

PLEASE FOLLOW ALL INSTRUCTIONS AND ALWAYS USE PROTECTIVE EYEWEAR WHEN INSTALLING A DOOR SYSTEM. PLEASE READ INSTRUCTIONS COMPLETELY.

SERIES 2200 & 2250 MIRROR SLIDER



INSTALLATION QUESTIONS OR MISSING PARTS? DO NOT RETURN THIS DOOR TO THE STORE!

Thank you for purchasing this Slimfold product. We take pride in the products we manufacture and are confident you will be pleased with your selection. However, sometimes a product may leave our factory in less than perfect condition. If you have questions or are missing component parts necessary to complete the installation, **do not return the door to the place of purchase.** Give us a call first. More than likely, we can solve the problem without the hassle and expense of returning the door to the store. **Call Customer Service:** 1-800-633-7553 from 8:00 a.m. to 5:00 p.m. CST, Monday through Friday.

Slimfold®

Slimfold Products, A Division of the Dunbarton Corporation
868 Murray Road, Dothan, AL 36303
Toll Free: (800) 633-7553 Tel: (334) 794-0661 Fax: (334) 793-7022
Web Page: www.slimfold-doors.com E-mail: slimfold@dunbarton.com

BEFORE YOU BEGIN

PLEASE FOLLOW ALL INSTRUCTIONS AND ALWAYS USE PROTECTIVE EYEWEAR WHEN INSTALLING A DOOR SYSTEM. PLEASE READ INSTRUCTIONS COMPLETELY.

- Assemble Tools
 Safety glasses Level
 Phillips head screwdriver Tape Measure
 Straight head screwdriver Power drill or screw gun (3/16" bit)

Measure Opening

Measure the Finished Opening Size; refer to Specifications below to insure proper door size (FIGURE 1).

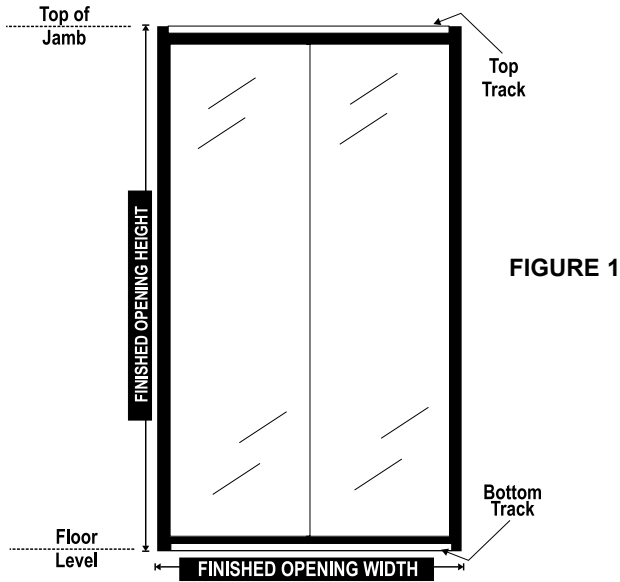


FIGURE 1

For sliding mirror doors up to 48" x 96", using 1/8" safety glazed mirrors that conform to ANSI Z97.1 or CPSC42FR 1428; 16CFR Part 1201.

Specifications STANDARD SIZES—TWO PANEL UNITS

Size	Door Width	FINISHED OPNG. HEIGHTS		
		FINISHED OPENING WIDTH	FINISHED OPNG. HEIGHTS	
		6'8" Units	8'0" Units	
4'0" (1219)	24 ⁵ / ₈ " (626)	48" (1219)	80 1/2" (2045)	96" (2438)
5'0" (1524)	30 ⁵ / ₈ " (778)	60" (1524)		
6'0" (1829)	36 ⁵ / ₈ " (930)	72" (1829)		

STANDARD SIZES—THREE PANEL UNITS

Size	Door Width	FINISHED OPNG. HEIGHTS		
		FINISHED OPENING WIDTH	FINISHED OPNG. HEIGHTS	
		6'8" Units	8'0" Units	
9'0" (2743)	36 ⁵ / ₈ " (930)	108" (2743)	80 1/2" (2045)	96" (2438)

Finished Opening Width Tolerance +1/2" / -2 (+13 / -50)

All increments shown in parenthesis are metric (millimeter) unless otherwise indicated. Non-standard sizes available; check with your dealer for sizes and availability.

INSTALLATION

1. Remove Door from Packing Material

Carefully open the door package and remove the track packed inside the door (track can be packed separately if requested). Locate hardware bag(s) containing the following components for two-panel doors:

2200 MIRROR SLIDER INCLUDES:

- P/N 8M107100 Chrome Hardware Bag or
- P/N 25253040 Polished Brass Hardware Bag

CROSS SECTION DETAIL

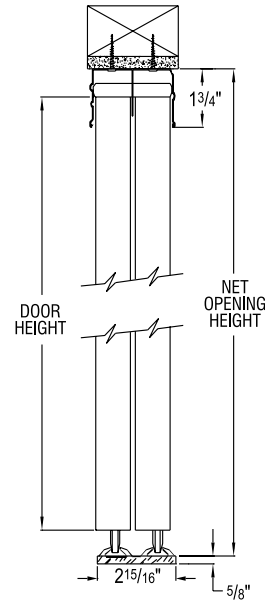


FIGURE 2

2. Cut tracks to size

Saw top guide track to length (net finished opening width in step #2) if necessary, using a fine-tooth (32 teeth/inch) hacksaw. Before cutting, insert 2" x 4" wood blocks between channels next to saw cut. Hold firmly together for smoother cut. It is not necessary to support the floor guide track while cutting (Fig. 2).

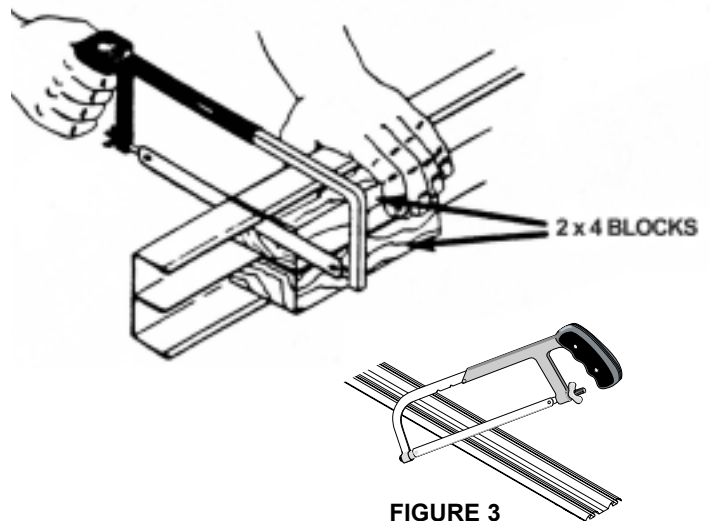
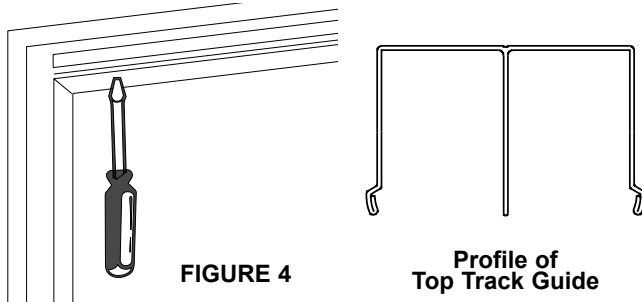


FIGURE 3

**Installation of three (3) door systems will require multiples of top guide and floor track unless you place both outside doors on rear track.

2. Set The Tracks

Screw top guide track to header, locating front edge 1/8" back from face of jamb. Locate leading edge of floor track 3/4" back from front face of jamb so doors will hang plumb. Floor track should be equal distance from side jambs (Figure 4).

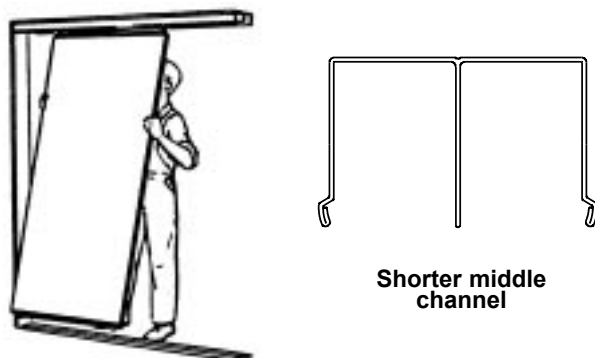
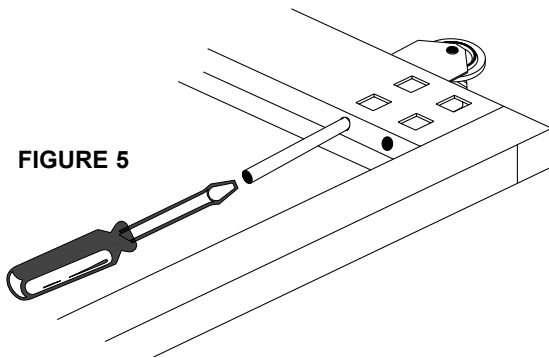


New Construction: For best results and performance, it is recommended that the track be put down before laying carpet. Depending upon the height of the finished floor, a continuous wood shim (3/16" to 3/8" thick) can be placed underneath the track to provide additional clearance between the door and carpet. The carpet can be installed up to the track and the door can be installed later.

Existing Dwelling: When installing SLIMFOLD doors in an area where carpet has been previously laid, lay the track on top of the existing carpet and screw into the floor below. **CAUTION: Turn screw slowly to avoid causing a runner in the carpet.**

3. Install Doors

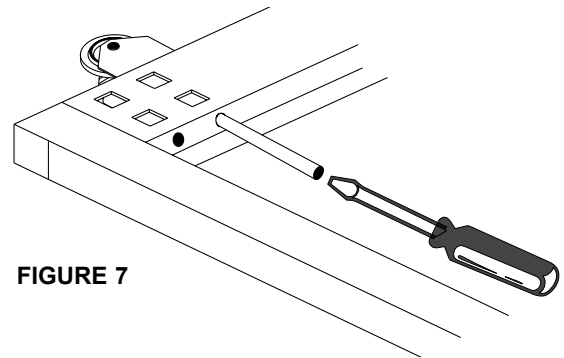
Doors should be shipped with the bottom rollers fully retracted. Before proceeding to install doors, extend rollers 1/2" below bottom of door (Figure 5).



Install rear door first by inserting top of door into rear of top guide channel. **Note:** middle channel in top track is shorter for ease of installation. Then, swing bottom of door over bottom track and lower rollers into rear groove. Install front door last in the same manner into front of top guide channel (Figure 6).

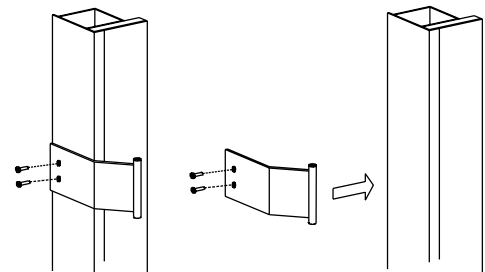
4. Adjust Door

Use Phillips screwdriver on bottom roller. To raise door, turn screw counterclockwise. Adjust both rollers on each door upward until top of door enters top guide track by 3/8" minimum. Plumb left door to left jamb; right door to right jamb, maintaining minimum engagement of doors in top guide track (Figure 7).



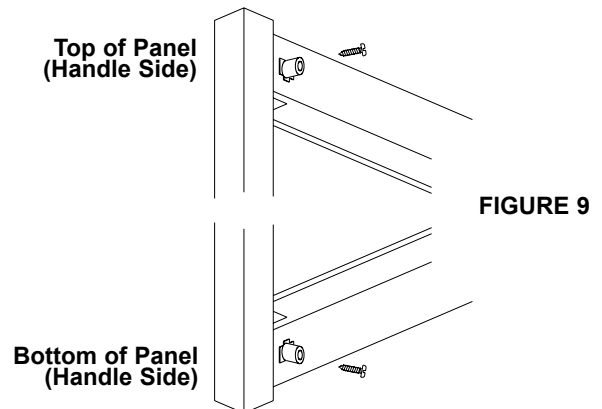
5. Install handles (optional)

Standard pull height is 34" (78-1/2" doors) and 46" (96" + doors) from bottom of door. Pulls are attached to jamb-side of stile and should NOT extend from edge more than 1/4". Opt. extended handle and stop package (#848-STMG) can be used if restricted bypass is desired (Fig. 8).



6. Install door stop

Install rubber door stops in the top and bottom on the same side of the panel as the handle so the doors cannot bypass and bend the handles (Figure 9). Door stops are needed on the front panel on the back side next to the wall. Slide space washers and door stops onto the 1/4" screws (provided). Screw into pre-drilled holes.



**SLIMFOLD PRODUCTS LIMITED
LIFETIME WARRANTY**

Slimfold Products Division warrants to the purchaser that its products, when utilized for interior door use, will be free from defects in materials and workmanship for the life of the product.

Slimfold Products manufactured with galvanized steel are additionally warranted against rusting for a period of one (1) year from the date of purchase, provided the finish has not been cut or abraded through the metal. Galvanized steel should be used where air has a high salt content or in locations with high humidity.

This warranty is applicable only when the products covered by it have been installed in accordance with the recommended written installation instructions of Slimfold Products Division and with established building practices, have been accorded treatment which is considered good practice in the building industry regarding storage and maintenance, and have been subjected only to normal use. Because Slimfold Products Division cannot control the manner in which its products are handled after leaving its premises, this warranty does not apply to the finish or other damage occurring during shipment.

There are no warranties, express or implied, which extend beyond the description on the face hereof, including

the implied warranty of merchantability and the implied warranty of fitness for a particular purpose.

Some states do not allow limitations on how long an implied warranty lasts, so the above limitation may not apply in some cases.

In the event the original consumer purchaser of any Slimfold product believes that the door or any parts thereof covered by this warranty is defective, a letter outlining the alleged defect should be sent postage prepaid to the following address:

**Slimfold Products Division
PO Box 6416
Dothan, AL 36302**

Any Slimfold Products part covered by this warranty which, upon inspection by an authorized representative of Slimfold Products Division, are found by said representative to be defective, will be repaired or replaced at the option of Slimfold Products Division. The purchase price of the part will be refunded and does not include labor, installation costs, finishing costs, or indirect or consequential damages of any nature. Some states do not allow the exclusion or limitation of incidental or consequential damages, so the above limitation or exclusion may not apply to you.

This warranty bestows certain legal rights, and you may also have other rights which vary from state to state.

**CARING FOR YOUR SLIMFOLD DOOR
KEEP TRACK FREE OF DIRT AND PAINT!**

Steel Bifolds

Clean steel surface with a soft cloth using a mild detergent and water. Do not use harsh cleaners or abrasive.

Mirrors

- Clean mirror surface with clean, warm water or approved glass cleaner. Do not use any acid or alkali cleaners or cleaners with ammonia base. They will attack front surface, edges and backing of glass.
- Use a clean, soft cloth when cleaning to avoid scratching mirror surface.
- Never spray any cleaner directly on to the mirror. Apply to cloth first, then wipe mirror.
- Be sure to dry all edges thoroughly.

Slimfold

Prefinished Steel Bifold Doors



A Product Division of
Dunbarton

868 MURRAY ROAD | DOTHAN, ALABAMA 36303
334/794-0661 | 334/793-7022 (fax)
800-633-7553
www.slimfold-doors.com
email: slimfold@dunbarton.com