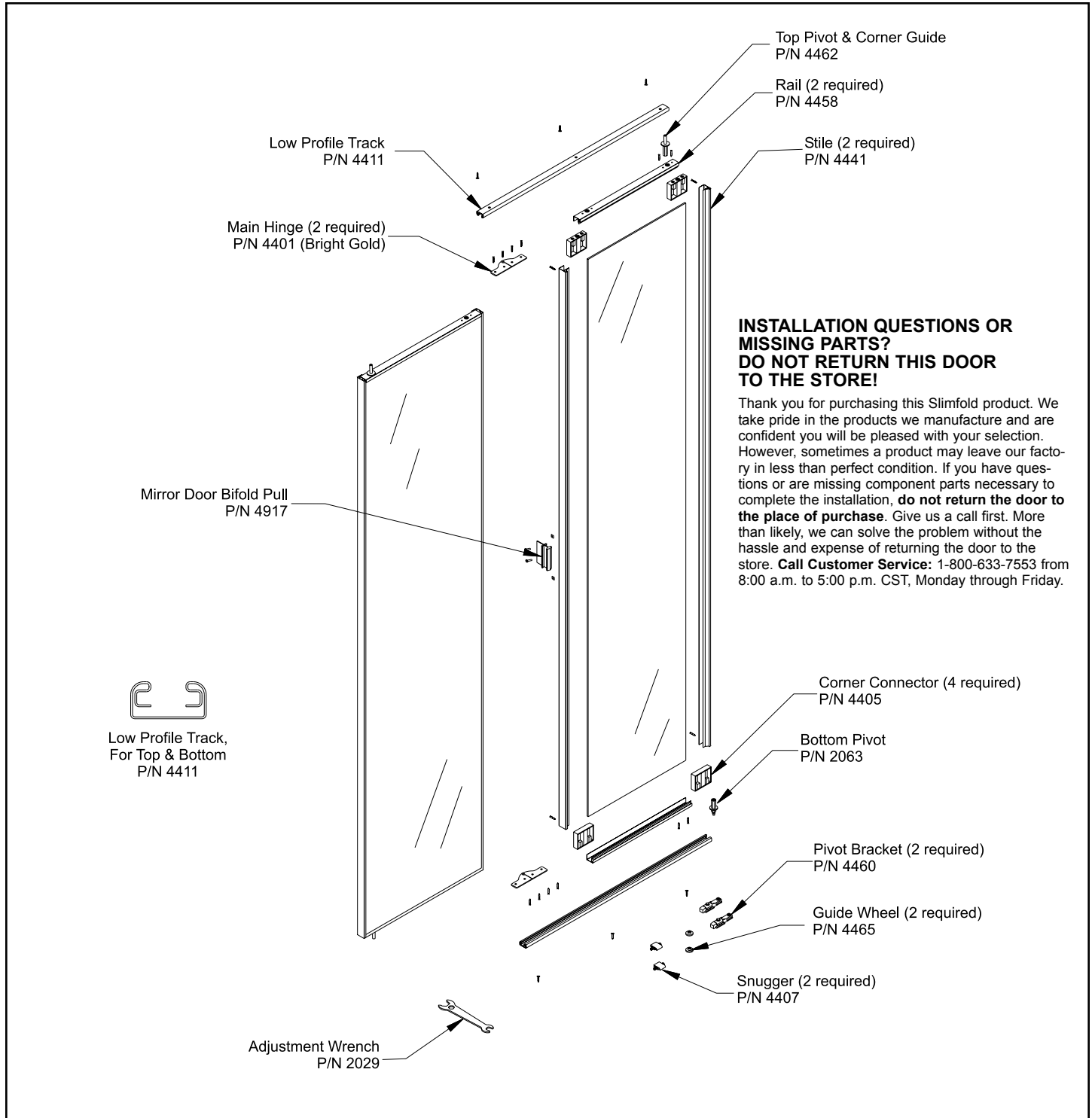


Keep These Instructions!

PLEASE FOLLOW ALL INSTRUCTIONS AND ALWAYS USE PROTECTIVE EYEWEAR WHEN INSTALLING A DOOR SYSTEM. PLEASE READ INSTRUCTIONS COMPLETELY.

SERIES 4400 MIRROR BIFOLD DOORS



P/N 8M800254 Rev. 9/03

Slimfold Products, A Division of the Dunbarton Corporation
 868 Murray Road | Dothan, AL 36303
 800-633-7553 | 334-794-0661 | 334-793-7022 (fax)
 www.slimfold-doors.com | email: slimfold@dunbarton.com

Slimfold®

BEFORE YOU BEGIN

PLEASE FOLLOW ALL INSTRUCTIONS AND ALWAYS USE PROTECTIVE EYEWEAR WHEN INSTALLING A DOOR SYSTEM. PLEASE READ INSTRUCTIONS COMPLETELY.

Assemble Tools
 Safety glasses Level
 Phillips head screwdriver Tape Measure
 Straight head screwdriver Power drill or screw gun (3/16" bit)

Measure Opening

Measure the Finished Opening Size; refer to Specifications below to insure proper door size (FIGURE 1).

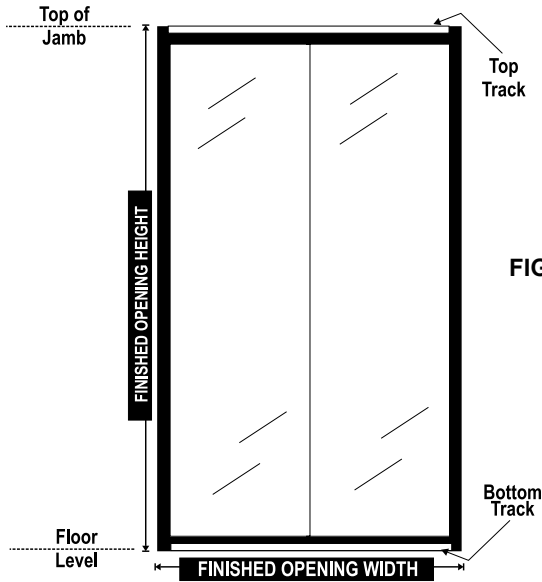


FIGURE 1

HEIGHT: These bifold doors are sized to fit standard opening sizes. They will operate properly, however, where height is 7/16" over or 5/16" under the nominal height (Figure 2).

WIDTH: Doors are sized for standard openings. The opening may be up to 1/4" over for two doors and 1/2" over for four doors.

Specifications STANDARD SIZES—TWO PANEL UNITS

Size	Door Width	FINISHED OPENING WIDTH	FIN. OPNG HEIGHTS 6'8" Units	8'0" Units
2'0" (610)	231/2" (597)	24" (610)	80 1/2" (2045)	96" (2438)
2'6" (762)	291/2" (749)	30" (762)		
3'0" (914)	351/2" (902)	36" (914)		

STANDARD SIZES—FOUR PANEL UNITS

Size	Door Width	FINISHED OPENING WIDTH	FIN. OPNG HEIGHTS 6'8" Units	8'0" Units
4'0" (1219)	47" (1194)	48" (1219)	80 1/2" (2045)	96" (2438)
5'0" (1524)	59" (1499)	60" (1524)		
6'0" (1829)	71" (1803)	72" (1829)		

Finished Opening Width Tolerance +1/4"/-0 (+6/-0)

All increments shown in parenthesis are metric (millimeter) unless otherwise indicated. Non-standard sizes available; check with your dealer for sizes and availability.

INSTALLATION

1. Remove Door from Packing Material

Carefully open the door package and remove the track packed inside the door (track can be packed separately if requested). Locate hardware bag(s) containing the following components for two-panel doors:

4400 MIRROR BIFOLD:

- Two Tinnerman Nuts (P/N 52-0320)
- Two Guide Wheels (P/N 4465)
- Door Pull (P/N 4917)
- Bottom Pivot (P/N 2063)
- Top Pivot & Corner Guides (P/N 4462)
- Adjustment Wrench (P/N 2029)
- Three 5/8" pan head Phillips screws
- Two 5/8" flat head Phillips screws
- Three 1-1/2" pan head Phillips screws

CROSS SECTION DETAIL

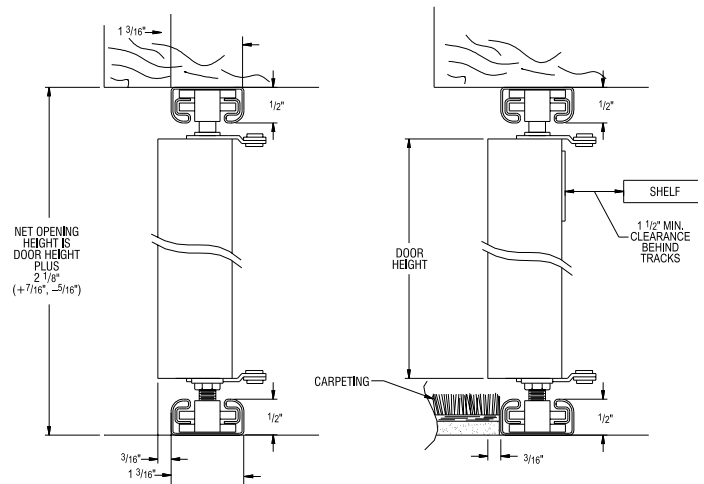


FIGURE 2

Series 4400 Bifold Mirror Door is designed to fit the opening using a 1/2" track on the top and bottom (Figure 2).

CAUTION: Handle assembled doors with great care and particularly avoid pulling stiles off the panel.

2. Set The Tracks

Install the top and bottom tracks in line parallel and plumb using #8 pan head screws. In a two-door installation, be sure pivot brackets in track are closest to the jamb where doors will pivot.

If trim is to be applied, be sure to set track back from face of opening sufficient distance to accommodate it.

New Construction: For best results and performance, it is recommended that the track be put down before laying carpet. Depending upon the height of the finished floor, a continuous wood shim can be placed underneath the track to provide additional clearance between the door and carpet. The carpet can be installed up to the track and the door can be installed later.

Existing Dwelling: When installing SLIMFOLD doors in an area where carpet has been previously laid, lay the track on top of the existing carpet and screw into the floor below. **CAUTION: Turn screw slowly to avoid causing a runner in the carpet.**

3. Insert Hardware

Install the spring-loaded pivot/guides as shown in the drawing below, choosing the location for the bottom pivot (with threaded bolt) to match the pivot bracket. Tap parts into corner blocks with light hammer blows directly on top of pins while backing up blocks with your hand.

CAUTION: Do not install a stiffener tube or a center hinge on any mirror door.

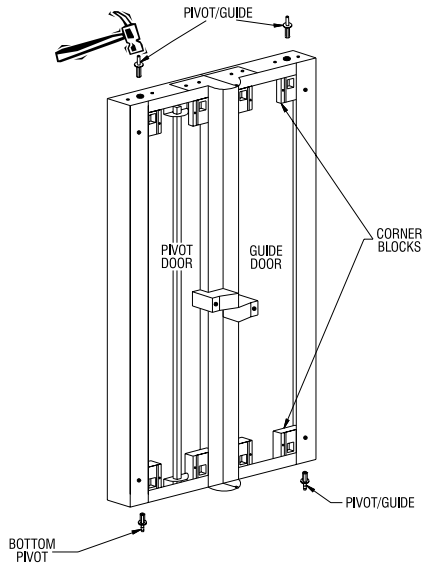


FIGURE 2

4. Install Doors in Opening

Lift hinged pair of doors, fitting top pivot door pin in top track bracket hole, then seat bottom pivot into bottom pivot bracket (Figure 3).

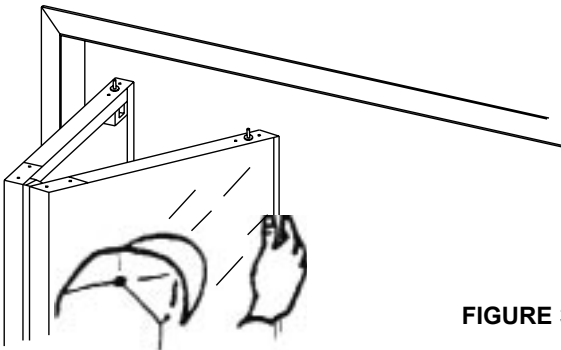


FIGURE 3

Next, depress guide door pins and pop into wheel of top track. Repeat procedure for the bottom of the guide door (Figure 4).

Install other pair of doors (four-door unit) in the same manner.

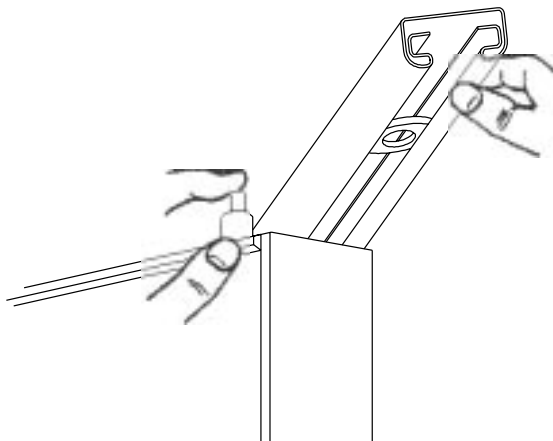


FIGURE 4

5. Install Snuggers (if necessary)

Insert snagger into tracks; press down to snap snagger into place. For 2-door unit, snap snagger between wheel and jamb. For 4-door unit, snap snagger between two wheels (Figure 5).

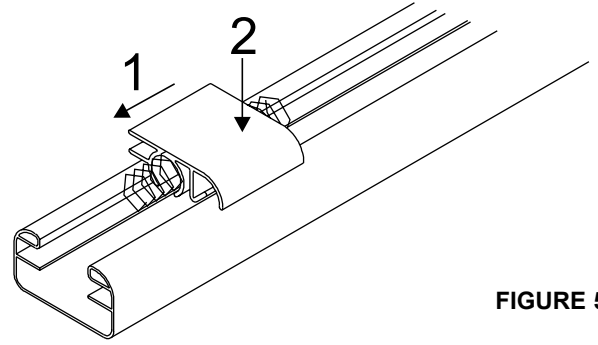


FIGURE 5

6. Adjustments

HORIZONTAL: Doors should be centered in the opening with 1/8" gap between pairs of doors. Use small end of wrench to loosen the top and bottom pivot bracket screws (A) to adjust (Figure 6).

VERTICAL: To raise doors, place the large end of the wrench on bottom pivot hex bolt (B) and make several ratchet-like turns (Figure 6). Turn wrench over to reverse direction of adjustment.

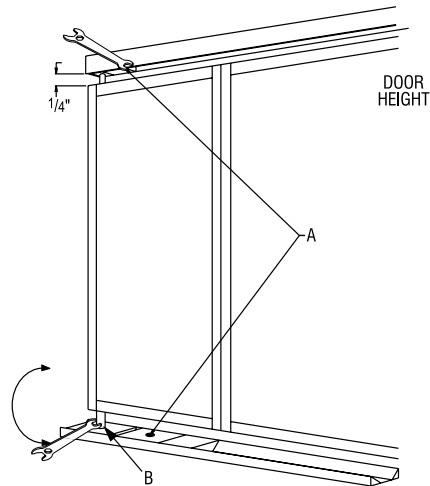


FIGURE 6

7. Attach Pulls

Attach pull to PIVOT door. Using pull as a template, pierce or drill 3/16" holes in the lead stile at a convenient height (approx. 36"), and attach pull with #8/6 flat head screws that thread into the nut as shown. Be sure screws are tight (Figure 7).

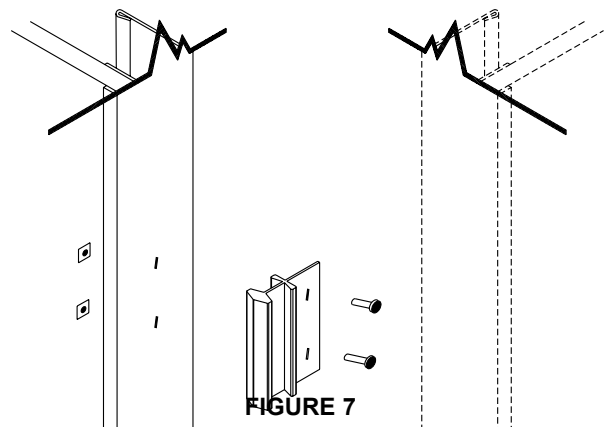


FIGURE 7

**SLIMFOLD PRODUCTS LIMITED
LIFETIME WARRANTY**

Slimfold Products Division warrants to the purchaser that its products, when utilized for interior door use, will be free from defects in materials and workmanship for the life of the product.

Slimfold Products manufactured with galvanized steel are additionally warranted against rusting for a period of one (1) year from the date of purchase, provided the finish has not been cut or abraded through the metal. Galvanized steel should be used where air has a high salt content or in locations with high humidity.

This warranty is applicable only when the products covered by it have been installed in accordance with the recommended written installation instructions of Slimfold Products Division and with established building practices, have been accorded treatment which is considered good practice in the building industry regarding storage and maintenance, and have been subjected only to normal use. Because Slimfold Products Division cannot control the manner in which its products are handled after leaving its premises, this warranty does not apply to the finish or other damage occurring during shipment.

There are no warranties, express or implied, which extend beyond the description on the face hereof, including

the implied warranty of merchantability and the implied warranty of fitness for a particular purpose.

Some states do not allow limitations on how long an implied warranty lasts, so the above limitation may not apply in some cases.

In the event the original consumer purchaser of any Slimfold product believes that the door or any parts thereof covered by this warranty is defective, a letter outlining the alleged defect should be sent postage prepaid to the following address:

**Slimfold Products Division
PO Box 6416
Dothan, AL 36302**

Any Slimfold Products part covered by this warranty which, upon inspection by an authorized representative of Slimfold Products Division, are found by said representative to be defective, will be repaired or replaced at the option of Slimfold Products Division. The purchase price of the part will be refunded and does not include labor, installation costs, finishing costs, or indirect or consequential damages of any nature. Some states do not allow the exclusion or limitation of incidental or consequential damages, so the above limitation or exclusion may not apply to you.

This warranty bestows certain legal rights, and you may also have other rights which vary from state to state.

**CARING FOR YOUR SLIMFOLD DOOR
KEEP TRACK FREE OF DIRT AND PAINT!**

Steel Bifolds

Clean steel surface with a soft cloth using a mild detergent and water. Do not use harsh cleaners or abrasive.

Mirrors

- Clean mirror surface with clean, warm water or approved glass cleaner. Do not use any acid or alkali cleaners or cleaners with ammonia base. They will attack front surface, edges and backing of glass.
- Use a clean, soft cloth when cleaning to avoid scratching mirror surface.
- Never spray any cleaner directly on to the mirror. Apply to cloth first, then wipe mirror.
- Be sure to dry all edges thoroughly.



868 MURRAY ROAD | DOTHAN, ALABAMA 36303
334/794-0661 | 334/793-7022 (fax)
800-633-7553
www.slimfold-doors.com
email: slimfold@dunbarton.com